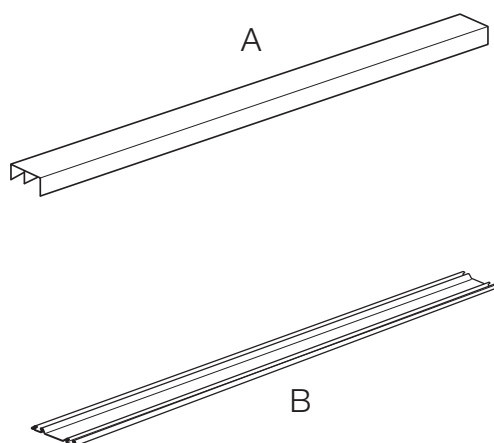


# MADE TO MEASURE SLIDING DOORS

PLEASE READ before starting assembly. Carefully open the packs supplied and check the contents against the parts and fittings check list. Do Not dispose of the packaging until you are certain that you have all the necessary parts for the assembly. The manufacturer reserves the right to alter specifications without prior notice.

## IMPORTANT NOTES:

1. Please ensure that the packaging is disposed of in a safe environmentally friendly way.
2. There are small components used in the construction of the door frame. These loose items should be kept away from young children whilst assembling.
3. Protect the high finish of the tracks by using a suitable material on the working surface during assembly.
4. We recommend that two people carry out this assembly.
5. Make sure there are no pipes or cables where you are drilling.



### SAFE OPERATION:

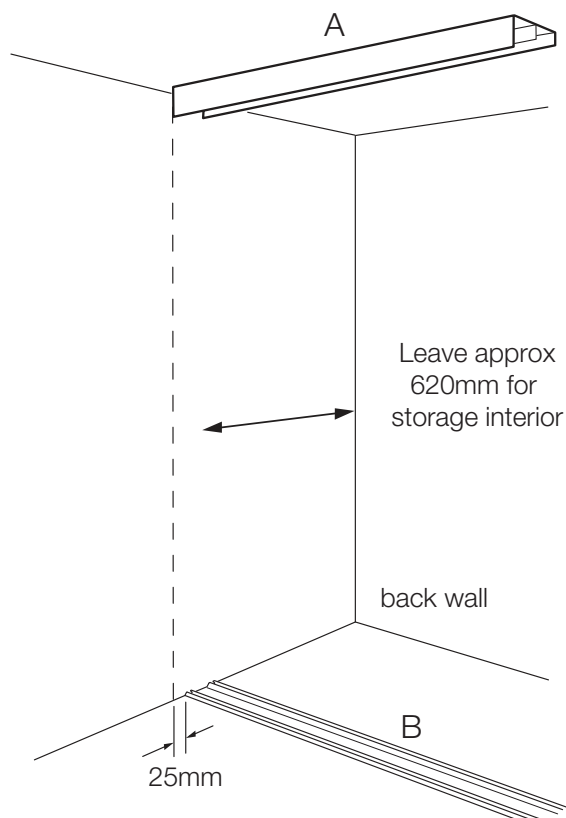
- DO NOT open or close your doors with 'excessive' force, at the or near the very top & bottom of the door.

TRACKPACK		
<b>A</b>	Top Track	1
<b>B</b>	Bottom Track	1

TOOLS REQUIRED: Spirit Level, Pencil, Crosshead screwdriver, Drill, 4mm Drill bit, Ruler/Tape measure.

ALSO REQUIRED: Wall plugs and drill bits suitable for the walls and ceiling.

# 1

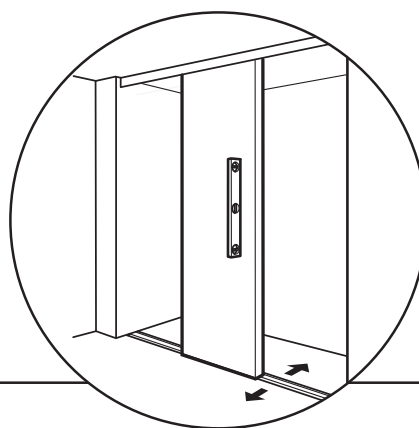


**Top Track** - Position the Track into the top of the opening. Mark where holes need to be drilled in the track (we recommend a fixing at each end and centre then at regular intervals in between). Drill and plug the header/ceiling in line with the holes drilled in the track and fix the top track using the long screws provided (see back page for suggestions).

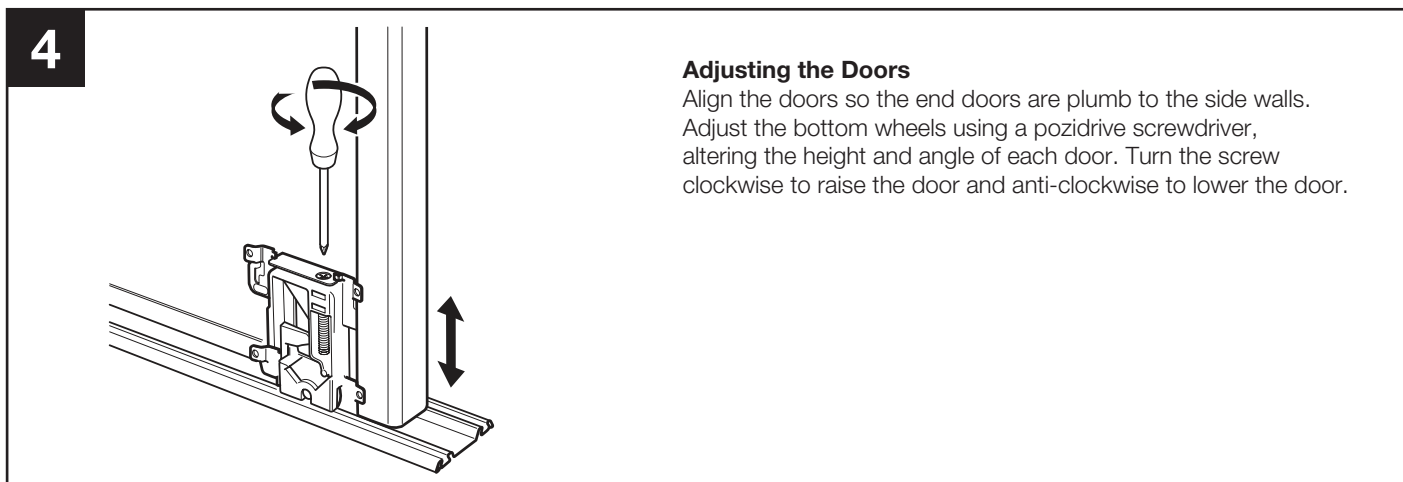
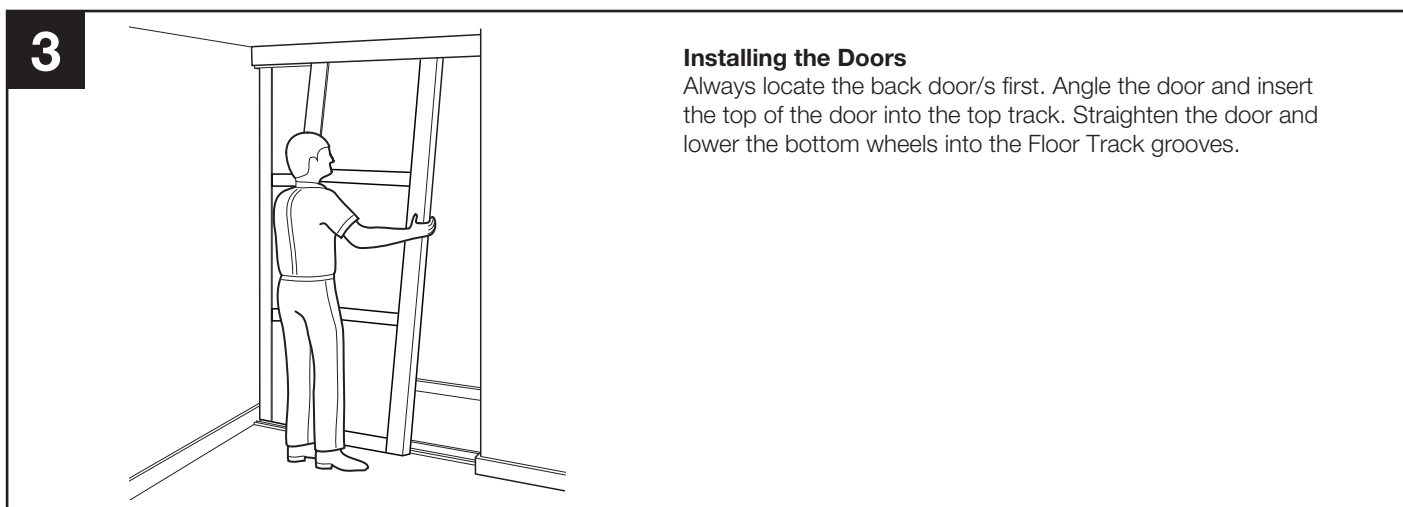
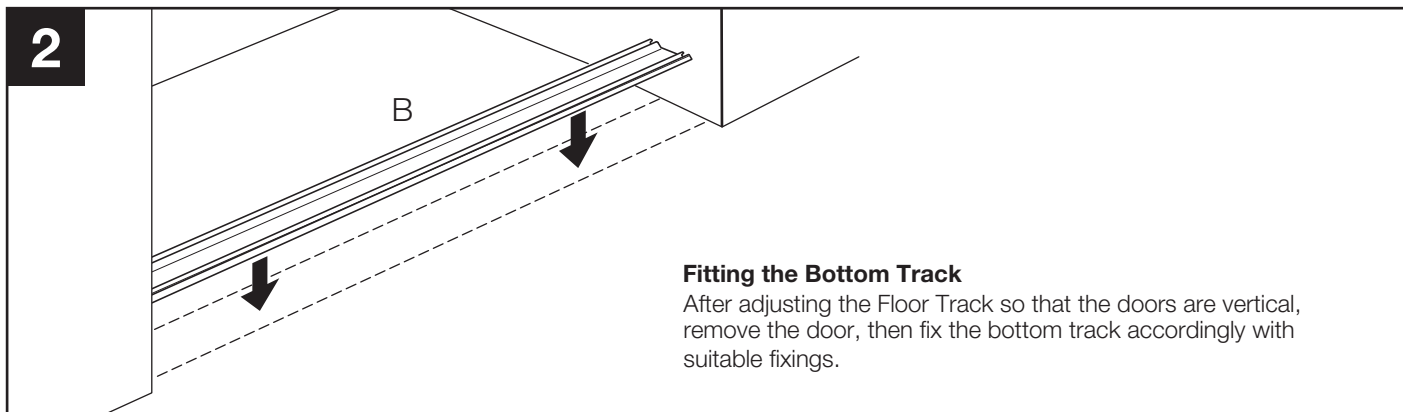
**Floor Track** - Position the track on the floor of the opening. Mark where holes need to be drilled in the track (we recommend a fixing at each end and centre then at regular intervals in between). Before permanently fitting the floor track to your floor, fit the door into place and using a spirit level adjust the Floor Track so the door becomes vertical.

### IMPORTANT

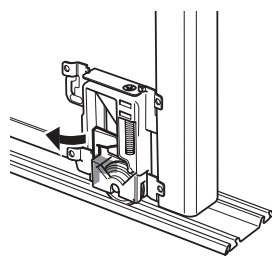
**Before permanently fitting the Floor Track to your floor, fit the door into place, then using a spirit level adjust the Floor Track so the door becomes vertical.**



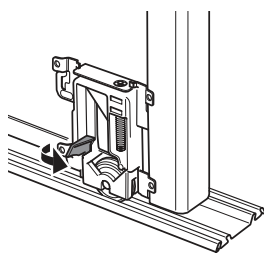
# MADE TO MEASURE SLIDING DOORS



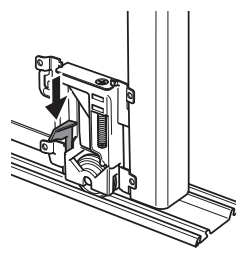
**4a** **Engaging Anti-jump Clips**  
Clips must be engaged to ensure doors do not leave tracks



**A Rotate**  
anti-jump clip  
into open position



**B Push**  
anti-jump clip fully  
down into track



**C Rotate**  
anti-jump clip back  
into closed position

To disengage anti-jump clip just reverse procedure.  
**Note:** In the unlikely event of anti-jump clip becoming detached during engagement, simply snap it back into original position shown on drawing A.